

Vehicle	STANDARD	OPTIONAL
AM licence L6e variants from 14 years of age (depending on the country) and N1, L7e with licence B (according to french law)	•	
Oversized, anti-corrosion aluminium chassis	•	
Dual triangle suspensions	•	
Driver's seat designed by occupational ergonomists	•	
High UV resistance mass-coloured ABS bodywork	•	
Rear window	•	
Standard colour: Blanc RAL 1099	•	
13" wheel covers	•	
Anti-puncture spray	•	
Specific bodywork colours (outside range)		•
Towing hook		•
Side units (1)		•
CLIP SYSTEM: Modular "Quick rear equipment change system" (1)		•
<b>NEW !</b> Right-hand drive		•
<b>NEW !</b> Power steering		•
Safety	STANDARD	OPTIONAL
Braking provided by 4 disk brakes	•	
4-function LED front lights: daytime running lights, automatic lights, dipped beam, full beam and direction indicators	•	
3-point seat belts	•	
Front and rear bodywork and goods protection bumpers	•	
Immobilizer system	•	
A.V.A.S Acoustic Vehicle Alert System (Only on N1 version)	•	
Audible and visual warning of unfastened seat belt	•	
Pedestrian warning	•	
Reversing warning		•
Class 2 reflective strips (only on L3 version with skip)		•
LED flashing lights or AK5 LED work indicator triangle or Full kit (Roof ramp with Triangle + 2 flashing lights)		•
Safety kit (waistcoat / triangle / breathalyzer / bulbs)		•
Powder extinguisher		•
Right & Left glass doors(6)		•
<b>NEW !</b> Spare tyre kit : Spare wheel + wheel jack + crank		•
<b>NEW !</b> Rearview camera		•
Bi-Speed - enables the maximum speed to be alternated at 25 km/h or 45 km/h (L6e-N1) or 65km/h (L7e)		•
Electrical performances	STANDARD	OPTIONAL
Vehicle charge on domestic socket and adaptable according to country	•	
Energy recovery on braking	•	
On board 5 m charge cable	•	
Safety charging cable	•	
Comfort	STANDARD	OPTIONAL
5.3" colour LCD multi-function counter panel : Tachometer, odometer, battery charge indicator	•	
Non-slip chequered aluminium reinforced central foot rest zone	•	
12V plug		•
Bluetooth function car radio and mic for calls		•
Standard electric or Eberspacher type heating		•
Heated windscreen		•
Rubber front carpets		•
Front rubber mudflaps		•
Flatbed rear equipment	STANDARD	OPTIONAL
Flatbed with tool holder		•
Hydraulic cylinder (1) (3)		•
Right and left side open boosters (1)		•
Rear side open booster (need to have right and left sides) (1)		•
Skip tipper (without separation) (1) (2)		•
Sprinkling and spraying equipment - 200 litres or thermal high pressure cleaner (130bars - 200 litres ) (1) (4)		•
Accessories for drop side: cover (5), net (4), stowing ring (4), tool holder (1)		•
Box van rear equipment	STANDARD	OPTIONAL
Box van with rear roller shutter		•
Box van with rear + left and right roller shutters (1)		•
Isothermal or cooling box (ATP certification included) (1) (2)		•

(1) Only on long version

(2) CLIP SYSTEM incompatibility

(3) Battery pack 11,02 & 17,2 kWh incompatibility

(4) Only on fixed flatbed

(5) Only on flatbed with tool holder

(6) Only with heating system

## TECHNICAL CARACTERISTICS

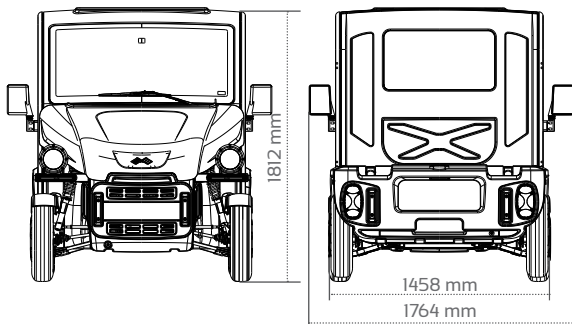
	L6e SHORT		N1 SHORT OR LONG		N1 LONG	L7e SHORT OR LONG			L7e LONG
Batteries kWh	8,6	9,6	8,6	9,6	2 x 8,6	8,6	9,6	2 x 5,51	2 x 8,6
Cycle autonomy*	Until 122 km	Until 136 km	Until 93 km	Until 106 km	Until 185 km	Until 129 km	Until 133 km	Until 161 km	Until 246 km
Charging time (h)	+/- 5h30	+/- 6h	+/- 5h30	+/- 6h	+/- 10h	+/- 5h30	+/- 6h	+/- 6h30	+/- 10h
Number of battery	1		1		2	1			2
Power rating in kW**	5,9		8,1			8,2			
Max unloaded speed	45 km/h					65 km/h			
Voltage (V)	48							45	48
Transmission	Automatic								
Battery type	Lithium								
Battery maintenance	No maintenance								
Main supply	Domestic mains (230 V - 16 A)								
Charging power	2000 W								
Number of seats	2								
Engine type	Asynchronous								
On-board charger	Yes								
Battery monitoring	Yes								

## PAYLOAD (kg) (including rear equipment, with driver)

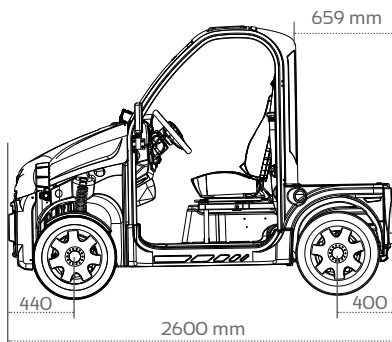
	PULSE 4 • SHORT			PULSE 4 • LONG			
	L6e 8,6 kWh 9,6 kWh	N1 8,6 kWh 9,6 kWh	L7e 8,6 kWh 9,6 kWh 2 x 5,51 kWh	N1 8,6 kWh 9,6 kWh	N1 2 x 8,6 kWh	L7e 8,6 kWh 9,6 kWh	L7e 2 x 5,51 kWh 2 x 8,6 kWh
L1 - BOX VAN WITH REAR ROLLER SHUTTER	179	200	179				
L1 - FLATBED FIXED	201	200	201				
L3 - BOX VAN WITH REAR ROLLER SHUTTER				350	350	274	274
L3 - BOX VAN WITH RIGHT-LEFT & REAR ROLLER SHUTTERS				350	350	240	240
L3 - SKIP TIPPER				300	300	134	134
L3 - FLATBED FIXED				350	350	252	252
L3 - TILTING FLATBED				421		308	
L3 - ISOTHERMAL BOX				250	250	149	149
L3 - COOLING BOX				250	250		

## DIMENSIONS (mm)

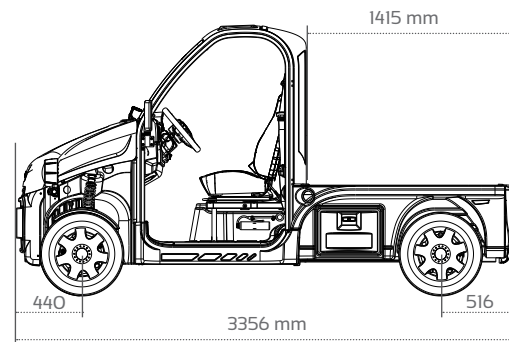
**Pulse 4**  
Short or long body



**Pulse 4**  
Short body



**Pulse 4**  
Long body



\*Estimated values according to WMTC (L6e/L7e) - WLTP (N1) cycles  
 \*\*According to R85 or 30mm<sup>1</sup>  
 Conception : Ligier Group 05.2023